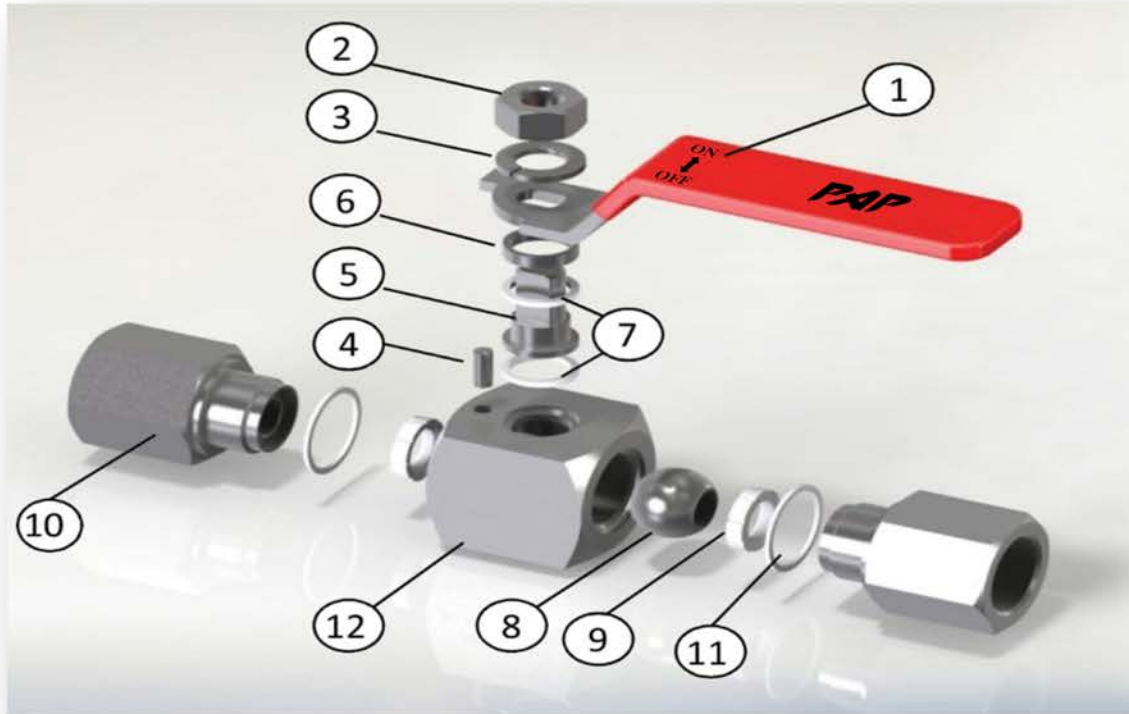


## INSTRUMENT BALL VALVES

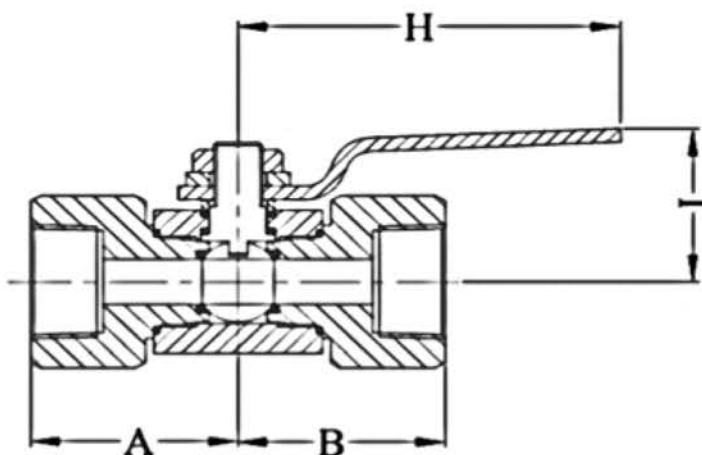
### High Pressure Ball Valves (HPBV Series)



Materials of Construction		
Row	Component	Material Grade /ASTM SPECIFICATION
		Stainless Steel
1	Handle	Stainless Steel Lever Handle with PVC color Coated
2	Lock Nut	Stainless Steel
3	Spring Washer	Stainless Steel
4	Pin	Stainless Steel
5	Stem	SS316L
6	Stem Washer	SS316L
7	Stem Packing	PTFE
8	Ball	SS316/CF8M
9	Seat	PTFE(Standard)
10	End Connector	SS316L
11	Connector Seal	PTFE
12	Body	SS316L

**Ball Valve, HPBV SERIES**

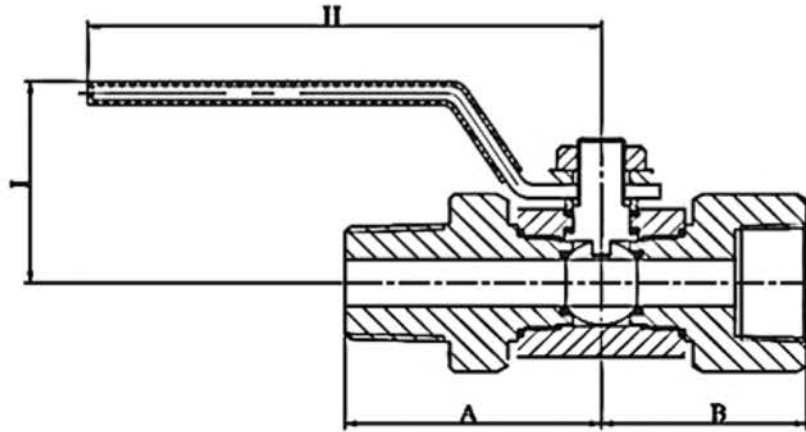
**NPT F.F (FEMALE PIPE THREAD END CONNECTIONS)**



PAP Part Number	Working Pressure	End Connection	Dimensions (mm)			
			A	B	I	H
BA1NN3M004	3000Psi	1/4 Female NPT	46	46	43	105
BA1NN3M006		3/8 Female NPT	46	46	43	105
BA1NN3M008		1/2 Female NPT	46	46	43	105
BA1NN3M012		3/4 Female NPT	46	46	43	105
BA1NN3M016		1 Female NPT	59	59	54	155
BA1NN6M004	6000Psi	1/4 Female NPT	46	46	43	105
BA1NN6M006		3/8 Female NPT	46	46	43	105
BA1NN6M008		1/2 Female NPT	46	46	43	105
BA1NN6M012		3/4 Female NPT	59	59	54	155
BA1NN6M016		1 Female NPT	59	59	54	155

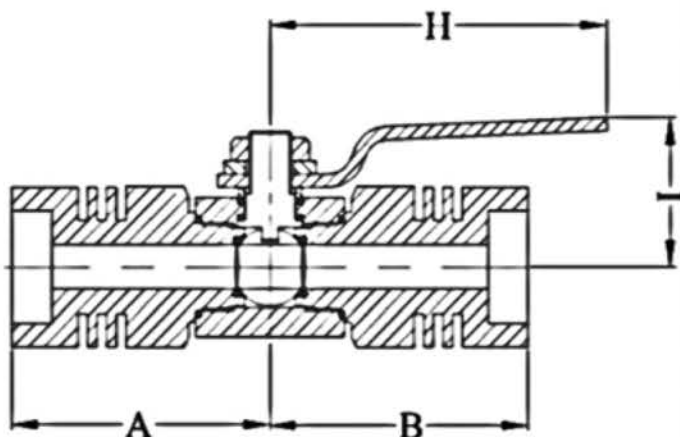
**BALL VALVE, HPBV SERIES**

**NPT F.M (FEMALE& MALE PIPE THREAD END CONNECTIONS)**



PAP Part Number	Working Pressure	End Connection	Dimensions (mm)			
			A	B	I	H
BA1NM3M004	3000Psi	1/4 Female*Male NPT	46	46	42	105
BA1NM3M006		3/8 Female*Male NPT	46	48	42	105
BA1NM3M008		1/2 Female*Male NPT	46	48	42	105
BA1NM3M012		3/4 Female*Male NPT	48	48	42	105
BA1NM3M016		1 Female*Male NPT	59	59	54	155
BA1NM6M004*	6000Psi	1/4 Female*Male NPT	46	46	43	105
BA1NM6M006*		3/8 Female*Male NPT	46	46	43	105
BA1NM6M008*		1/2 Female*Male NPT	46	46	43	105
BA1NM6M012*		3/4 Female*Male NPT	59	59	54	155
BA1NM6M016*		1 Female*Male NPT	59	59	54	155

**BALL VALVE, HPBV SERIES**  
**SW (SOCKET WELD END CONNECTIONS)**

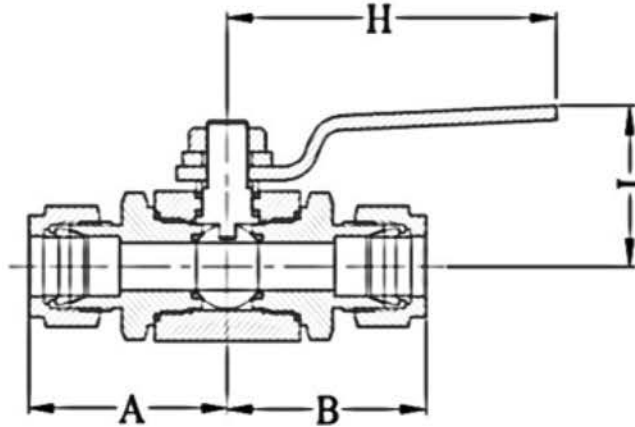


PAP Part Number	Working Pressure	End Connection	Dimensions (mm)			
			A	B	I	H
BA1CC3M004	3000Psi	1/4 Socket Weld	62	62	43	105
BA1CC3M006		3/8 Socket Weld	62	62	43	105
BA1CC3M008		1/2 Socket Weld	62	62	43	105
BA1CC3M012		3/4 Socket Weld	62	62	43	105
BA1CC3M016		1 Socket Weld	79	79	54	155
BA1CC6M004	6000Psi	1/4 Socket Weld	62	62	43	105
BA1CC6M006		3/8 Socket Weld	62	62	43	105
BA1CC6M008		1/2 Socket Weld	62	62	43	105
BA1CC6M012		3/4 Socket Weld	79	79	54	155
BA1CC6M016		1 Socket Weld	79	79	54	155



## BALL VALVE, HPBV SERIES

### O.D (TUBE END CONNECTIONS)



PAP Part Number	Working Pressure	End Connection	Dimensions (mm)			
			A	B	I	H
BA1003M004	3000Psi	1/4 O.D	43	43	43	105
BA1003M006		3/8 O.D	45	45	43	105
BA1003M008		1/2 O.D	48	48	43	105
BA1003M012		3/4 O.D	50	50	43	105
BA1003M016		1 O.D	55	55	54	155
BA1003M096		6 O.D	43	43	43	105
BA1003M128		8 O.D	45	45	43	105
BA1003M160		10 O.D	48	48	43	105
BA1003M192		12 O.D	50	50	43	105
BA1006M004	6000Psi	1/4 O.D	43	43	43	105
BA1006M006		3/8 O.D	45	45	43	105
BA1006M008		1/2 O.D	48	48	43	105
BA1006M012		3/4 O.D	50	50	54	155
BA1006M016		1 O.D	55	55	54	155
BA1006M096		6 O.D	43	43	43	105
BA1006M128		8 O.D	45	45	43	105
BA1006M160		10 O.D	48	48	43	105
BA1006M192		12 O.D	50	50	54	155