

Syphons Tube

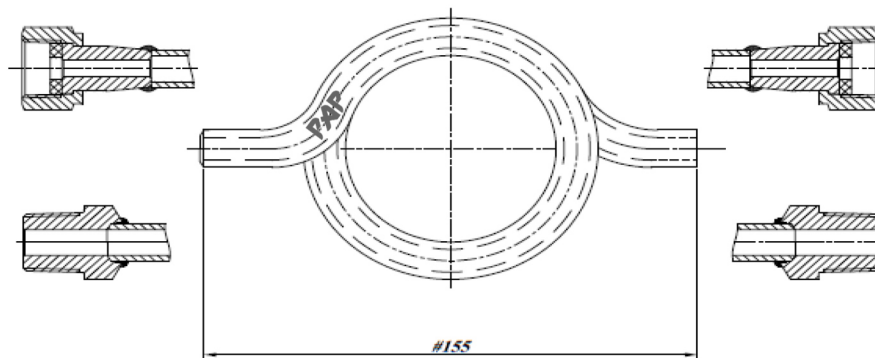
Dimensions

Features

- Maximum working temperature is 850°F (454°C).
- Maximum working pressure is 6000 psig (414 bar).
- Standard materials is SS316L

Ordering Information

Add the material designator as prefix to the basic ordering number (SS for 316 SS).



Component	Material Specifications
Tube	316L/A269/A213
Connector	316L/A276
Gasket	PTFE*

Type of connector
FEMALE x FEMALE
MALE x MALE
MALE x FEMALE

* use in Female connection

Type of thread		
1/2"	NPT MALE	M20x1.5 MALE
1/2"	NPT FEMALE	M20x1.5 FEMALE
1/2"	BSPT MALE	
1/2"	BSPT FEMALE	

Dimensions are in mm unless specified ,They could be change