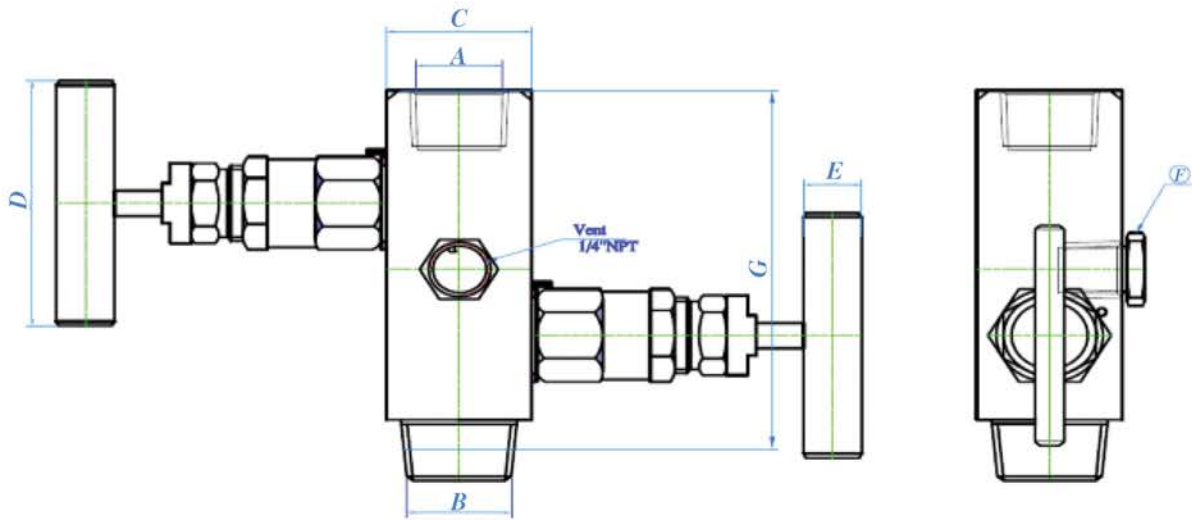
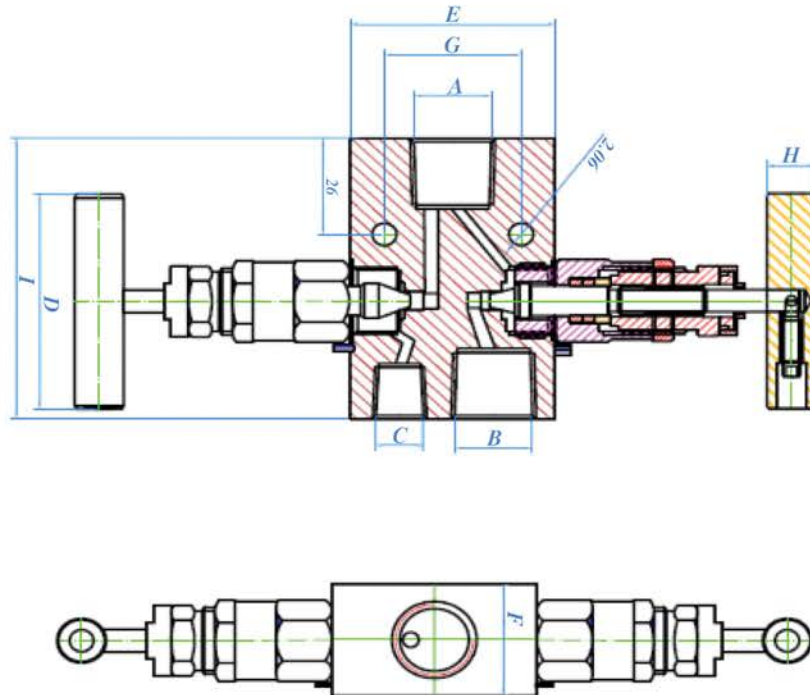


## 2Way Manifold for Gauge



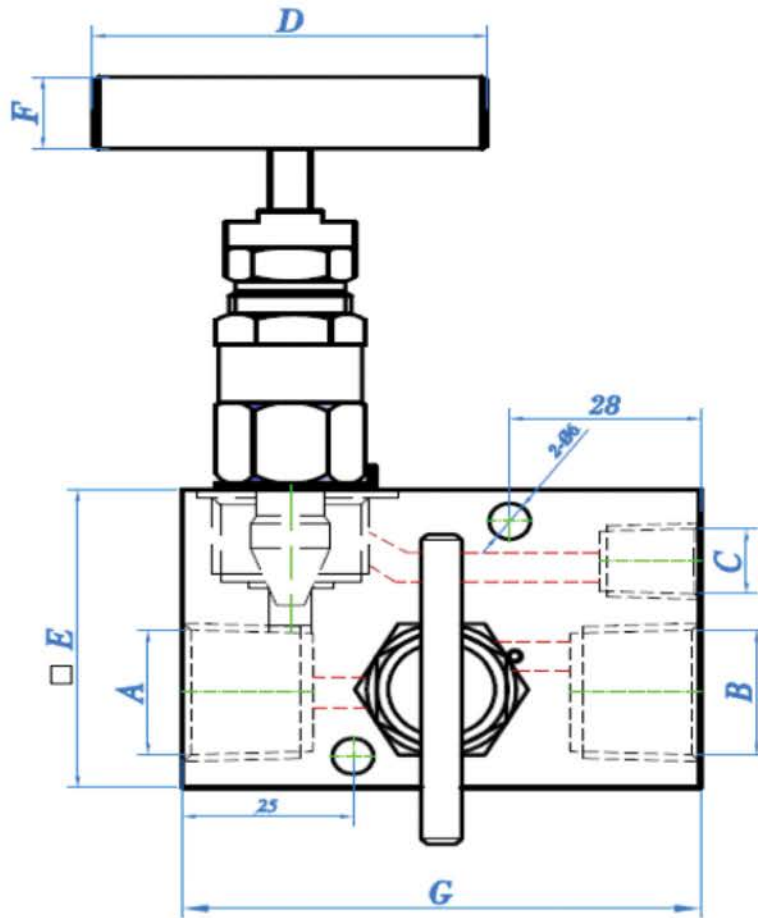
PAP Part Number	Working Pressure	End Connection		Dimensions							
		Inlet NPT	Outlet NPT Female	A NPT (F)	B NPT (M)	C(mm)	D(mm)	E	F Vent NPT	G(mm)	
2VG2NS	3000 6000 10000 Psi	1/4" Male	1/4"	1/4"	1/4"	SQ32×32	58	Ø13	1/4"	89	
2VG4NS		1/2" Male	1/2"	1/2"	1/2"	SQ32×33	58	Ø13	1/4"	95	
2VG2NS-F		1/4" Female	1/4"	1/4"	1/4"	1/4"	SQ32×32	58	Ø13	1/4"	85
2VG4NS-F		1/2" Female	1/2"	1/2"	1/2"	1/2"	SQ32×33	58	Ø13	1/4"	95

### 2Way Manifold (Vertical Port Inlet)



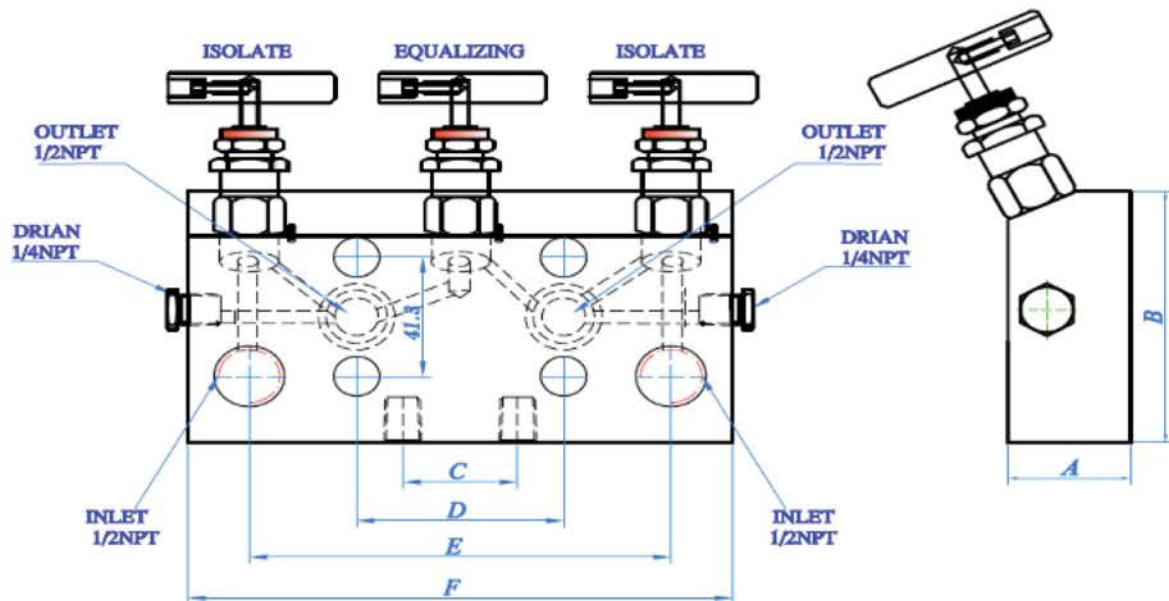
PAP Part Number	Working Pressure	End Connection		Dimensions							
		Inlet NPT(F)	Outlet NPT(F)	A NPT (F)	B NPT (F)	C NPT (F)	D(mm)	E(mm)	F(mm)	G(mm)	H
LS2V	3000 6000 10000 Psi	1/2"	1/2"	1/2"	1/2"	1/4"	58	50	32	33.5	Ø13

## 2Way Manifold for Panel Mounting



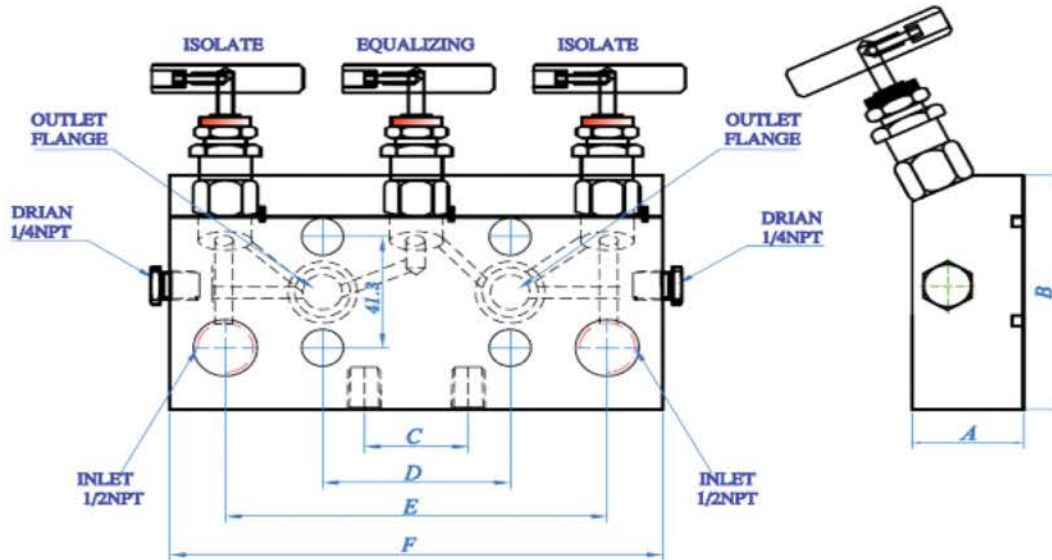
PAP Part Number	Working Pressure	End Connection			Dimensions						
		Inlet NPT(F)	Outlet NPT(F)	Drain /Test NPT(F)	A NPT (F)	B NPT (F)	C NPT (F)	D(mm)	E(mm)	F(mm)	G(mm)
LS2H	3000 6000 10000 Psi	1/2"	1/2"	1/4"	1/2"	1/2"	1/4"	58	50×32	Ø13	76

### 3Way Manifold NPT



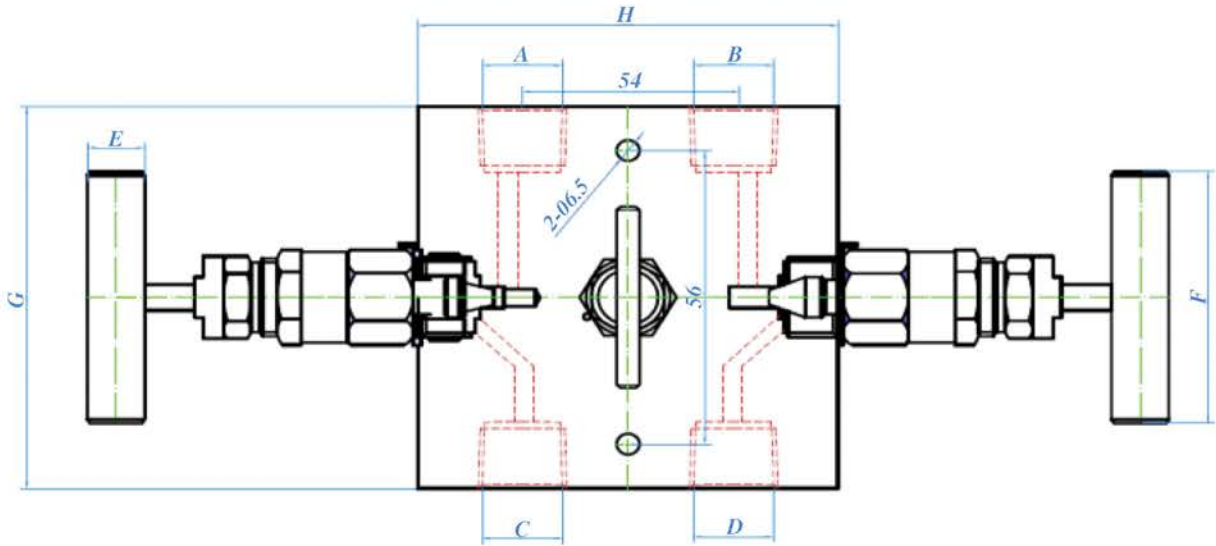
PAP Part Number	Working Pressure	End Connection		Dimensions					
		Inlet NPT(F)	Outlet NPT(F)	A(mm)	B(mm)	C(mm)	D(mm)	E(mm)	F(mm)
LS3	3000 6000 10000 Psi	1/2"	1/2"	32	76	30	54	110	142

### 3Way Manifold for Divert Mounting



PAP Part Number	Working Pressure	End Connection		Dimensions					
		Inlet NPT(F)	Outlet NPT(F)	A(mm)	B(mm)	C(mm)	D(mm)	E(mm)	F(mm)
DS3	3000 6000 10000 Psi	1/2"	Flange	32	76	30	54	110	142

### 3Way Manifold for Line Remote Installation

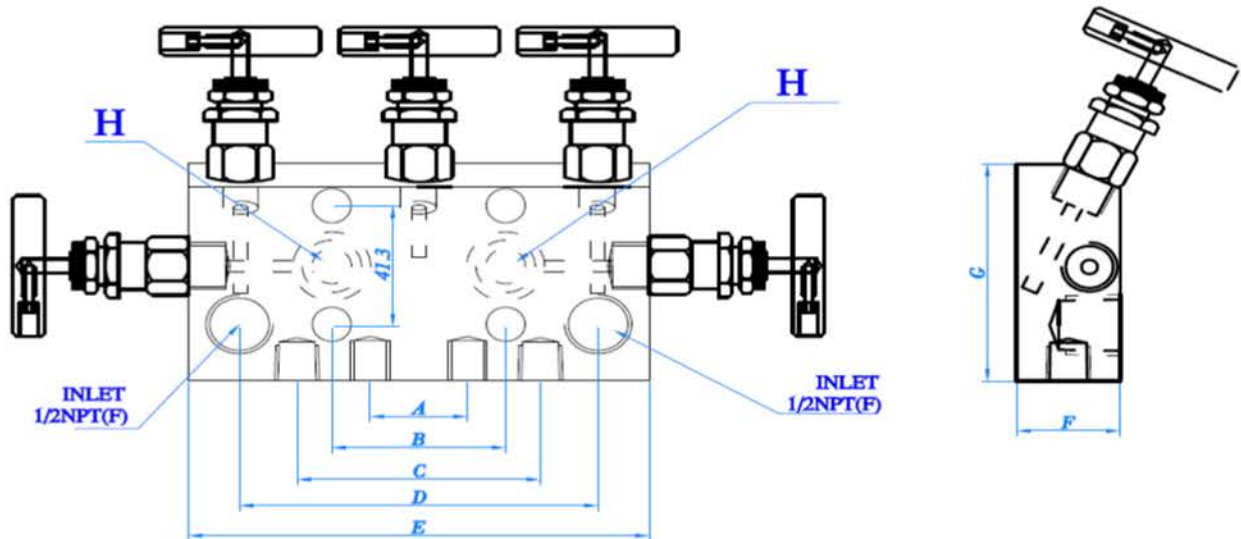


PAP Part Number	Working Pressure	End Connection		Dimensions							
		Inlet NPT(F)	Outlet NPT(F)	A NPT(F)	B NPT(F)	C NPT(F)	D NPT(F)	E	F(mm)	G(mm)	H(mm)
LS3H	3000 6000 10000 Psi	1/2"	1/2"	1/2"	1/2"	1/2"	1/2"	Ø13	58	76	86

### 5Way Manifold

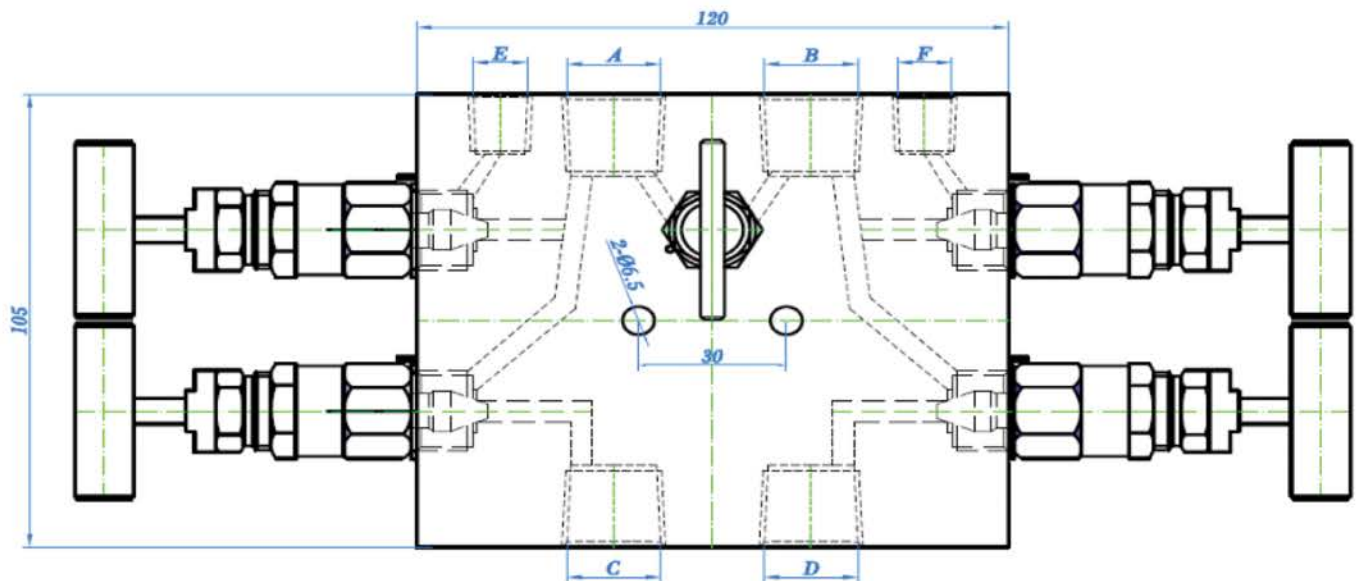
**NPT (Pipe Thread End Connections) &**

**NPT (Pipe Flange End Connections) For Divert Mounting**



PAP Part Number	Working Pressure	End Connection		Dimensions							
		Inlet	Outlet	A (mm)	B (mm)	C (mm)	D (mm)	E (mm)	F (mm)	G (mm)	H
LS5	3000 6000	1/2" NPT(F)	1/2" NPT(F)	30	54	75	110	142	32	76	1/2" NPT(F)
DS5	10000 Psi	1/2"	Flange	30	54	75	110	142	32	76	1/2" Flange

### 5Way Manifold For Line Mounting



PAP Part Number	Working Pressure	End Connection		Dimensions					
		Inlet NPT(F)	Outlet NPT(F)	A NPT(F)	B NPT(F)	C NPT(F)	D NPT(F)	E NPT(F)	F NPT(F)
LS5H	3000 6000 10000 Psi	1/2"	1/2"	1/2"	1/2"	1/2"	1/2"	1/4"	1/4"