

# Flow rates up to 300 LPM


## Inox Size 1 Housing

The SPECTRUM size 1 stainless steel housings range come available in both Standard, v-band clamp closure and Premier, swing-bolt configurations.

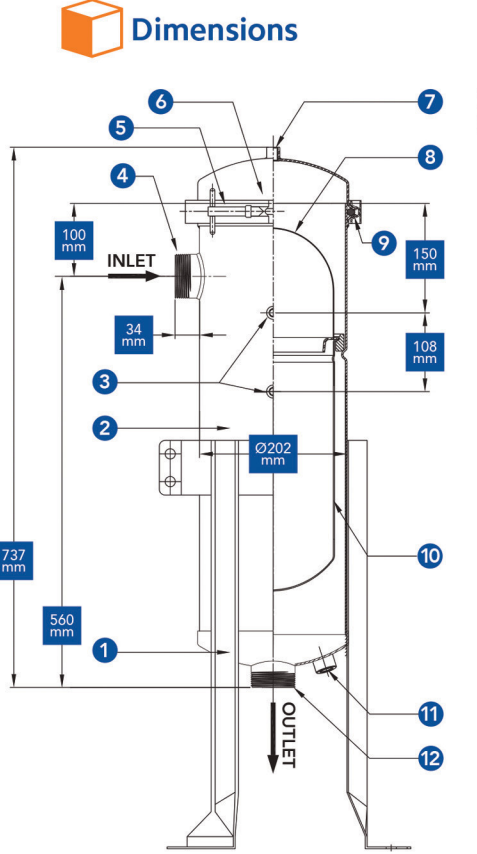
Premier housings come complete with pressure gauges providing essential pressure drop information to effectively monitor system performance.



### Standard Housing




#### Dimensions



No.	Name	Material
1	Adjustable Legs	304 SS
2	Body	316L SS
3	¼" BSPF Gauge Ports	316L SS
4	BSPM Inlet Port	316L SS
5	V-band Clamp	304 SS
6	Lid	316L SS
7	¼" BSPF Vent Port	316L SS
8	Bag Hold Down Device	316L SS
9	Lid O-ring	Buna-N
10	Basket (¼" Perforated)	316L SS
11	½" BSPF Drain Port	316L SS
12	BSPM Outlet Port	316L SS

#### Options



**Gauges (PG3)**  
11 bar ¼" glycerine filled stainless steel back mounted pressure gauge.

No. of Bags	Bag Size	Port Size	Gauge Ports	Gauges	Mounting Legs	Weight (kg)
1	1	2" BSPM	✓	Optional	✓	19
1	1	3" BSPM	✓	Optional	✓	19
1	1	2" BSPM	✓	✓	✓	29
1	1	3" BSPM	✓	✓	✓	29
1	1	2" DN50	✓	✓	✓	34
1	1	3" DN80	✓	✓	✓	34


**Specification**

**Pressure Rating**  
10 bar

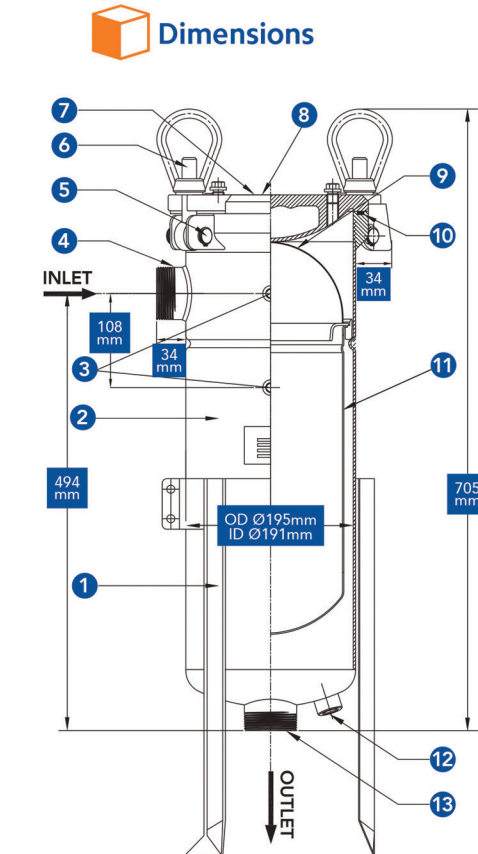
**Material**  
Polycoated 316L Stainless Steel

**Temperature Rating**  
120°C

### Premier Housing




#### Dimensions



No.	Name	Material
1	Adjustable Legs	304 SS
2	Body	316L SS
3	¼" BSPF Gauge Ports with Gauges	316L SS
4	BSPM/Flange Inlet Port	316L SS
5 & 6	Swing-bolt Nut & Pin	316L SS
7	¼" BSPF Vent Port	316L SS
8	Lid	316L SS
9	Bag Hold Down Device	316L SS
10	Lid O-ring	Buna-N
11	Basket (¼" Perforated)	316L SS
12	½" BSPF Drain Port	316L SS
13	BSPM/Flange Outlet Port	316L SS

#### Options



**Flange Connections**  
DN50 and DN80 316L stainless steel flange connections for ease of installation and to provide security at higher flow rates.



# Flow rates up to 600 LPM

## Inox Size 2 Housing

The largest of the single-round range, the size 2 stainless steel bag housings provide a solution to high flow rate and bulk solid removal applications.

With high dirt loading capabilities, systems and processes can stay online for longer.



No. of Bags	Bag Size	Port Size	Gauge Ports	Gauges	Mounting Legs	Weight (kg)
1	2	2" BSPM	✓	Optional	✓	26
1	2	3" BSPM	✓	Optional	✓	26
1	2	2" BSPM	✓	✓	✓	35
1	2	3" BSPM	✓	✓	✓	35
1	2	2" DN50	✓	✓	✓	40
1	2	3" DN80	✓	✓	✓	40

**Specification**

**Pressure Rating**  
10 bar

**Material**  
Polycoated 316L Stainless Steel

**Temperature Rating**  
120°C

### Standard Housing

**Dimensions**

3 MOUNTING LEGS  
120° APART  
Ø12.7mm HOLES

Ø322.5 mm

100 mm INLET

34 mm

150 mm

108 mm

Ø202 mm

1132 mm

955 mm

1095 mm

OUTLET

No.	Name	Material
1	Adjustable Legs	304 SS
2	Body	316L SS
3	¼" BSPF Gauge Ports	316L SS
4	BSPM Inlet Port	316L SS
5	V-band Clamp	304 SS
6	Lid	316L SS
7	¼" BSPF Vent Port	316L SS
8	Bag Hold Down Device	316L SS
9	Lid O-ring	Buna-N
10	Basket (¼" Perforated)	316L SS
11	½" BSPF Drain Port	316L SS
12	BSPM Outlet Port	316L SS

**Options**

**Gauges (PG3)**  
11 bar ¼" glycerine filled stainless steel back mounted pressure gauge.

### Premier Housing

**Dimensions**

3 MOUNTING LEGS  
120° APART  
Ø12.7mm HOLES

Ø322.5 mm

108 mm INLET

34 mm

1095 mm

884 mm

OD Ø195mm  
ID Ø191mm

OUTLET

No.	Name	Material
1	Adjustable Legs	304 SS
2	Body	316L SS
3	¼" BSPF Gauge Ports with Gauges	316L SS
4	BSPM/Flange Inlet Port	316L SS
5 & 6	Swing-bolt Nut & Pin	316L SS
7	¼" BSPF Vent Port	316L SS
8	Lid	316L SS
9	Bag Hold Down Device	316L SS
10	Lid O-ring	Buna-N
11	Basket (¼" Perforated)	316L SS
12	½" BSPF Drain Port	316L SS
13	BSPM/Flange Outlet Port	316L SS

**Options**

**Flange Connections**  
DN50 and DN80 316L stainless steel flange connections for ease of installation and to provide security at higher flow rates.



## Flow rates up to 4,000 LPM

### Inox Multi-Round Housing

Designed to suit industry standard size 2 bag filters, multi-round heavy duty housings are suited to high-volume, high dirt-loading and demanding applications.

Each housing utilises a swing-bolt closure system, davit arm assembly and pressure gauges supplied as standard to simplify bag filter operation and changeouts.



No. of Bags	Bag Size	Port Size	Gauge Ports	Gauges	Mounting Legs	Weight (kg)
2	2	3" DN80	✓	✓	✓	105
3	2	4" DN100	✓	✓	✓	135
4	2	4" DN100	✓	✓	✓	170
5	2	4" DN100	✓	✓	✓	265
6	2	6" DN150	✓	✓	✓	300

**Specification**

**Pressure Rating**  
10 bar

**Material**  
Polycoated 316L Stainless Steel

**Temperature Rating**  
120°C

### Premier Housing



#### Davit Arm

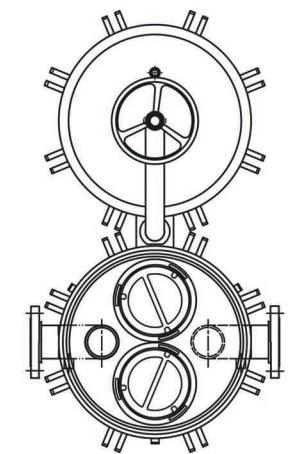
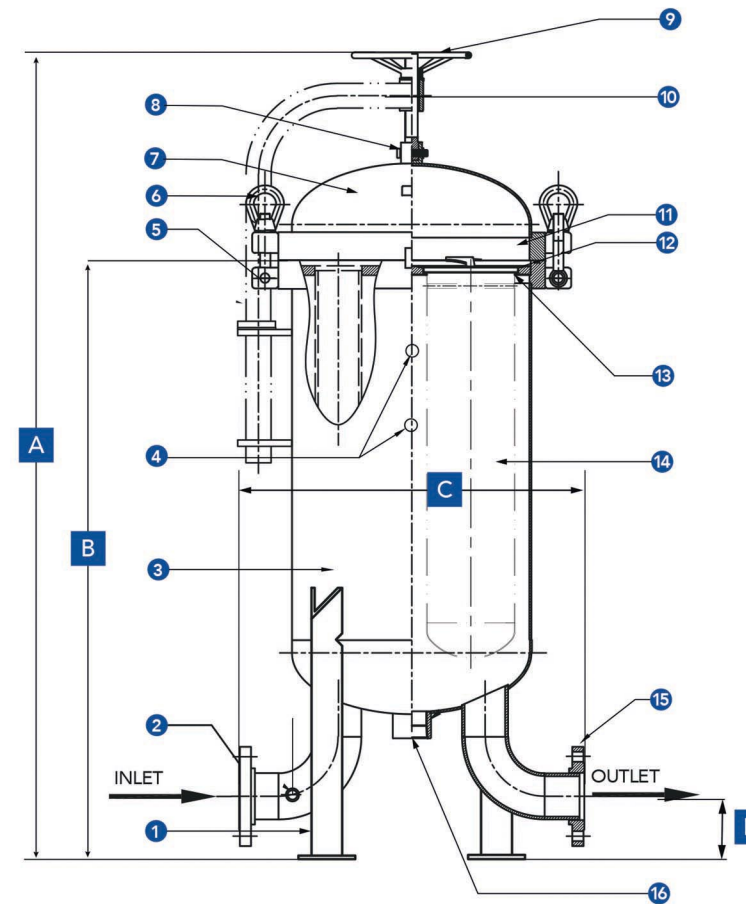
Included as standard, the davit lifting arm improves operator safety, whilst making filter change-out quicker, cleaner and more efficient.



#### Precise Design

The engineered design ensures each bag is securely fitted and held in place, providing a positive seal to minimise particulate bypass.

### Dimensions



No.	Name	Material
1	Mounting Legs	304L SS
2	Flange Inlet	316L SS
3	Body	316L SS
4	1/4" FNPT Gauge Ports with Gauges	316L SS
5 & 6	Eyebolt Nut & Pin	Zinc Plated Steel
7	Lid	316L SS
8	1/2" FNPT Vent Port	316L SS
9&10	Handle & Davit Arm	Zinc Plated Steel
11&12	Basket Seal	Buna-N
13	Bag Hold-Down Device	316L SS
14	Basket (1/8" Perforated)	316L SS
15	Flange Outlet	316L SS
16	1/4" FNPT Drain Port	316L SS

Flow Rate (LPM)	A (mm)	B (mm)	C (mm)	D (mm)
800	1540	1143	660	120
1350	1589	1155	762	127
1800	1589	1155	762	127
2250	1761	1087	850	233
3400	1761	1168	990	152



# Stainless Steel Multi-Round Housings

From 3 round to 36 round

Offered in two versions, Standard and Premier, excepting flow rates from 11 to 3600 lpm. The Premier range incorporates swing bolt closures and, in the larger sizes, a davit arm assembly, for easy and safe housing maintenance. The Premier range is supplied with pressure gauges as well as DN flanged connections for simple line connection. The Standard range is manufactured from the same high quality material and to the same design standards as the Premier range, however the closing device is the industry accepted V-band clamp and the ports are threaded. To provide the flexibility both the Premier and Standard ranges are supplied complete with a universal cartridge plate.



**Pressure Vent**

De-pressurise housing for safe and easy changeout.

**Davit Arm Assembly**

On Premier 12/21/36 round housings the Davit arm and wheel enables efficient, quick and safe maintenance and changeout.

**Swing Bolt**

No tools required or loose parts during cartridge change out.

**Tie Rod & Top Plate**

Keep cartridges centralised in the housing, providing easy installation.

**V-Band Clamp**

This sealing mechanism screws the clamp unit together simply, creating a water tight seal.

## Maximum Flowrate Capacity



**Cartridge adaptor springs**

Designed to facilitate the installation of DOE or AA cartridges, the springs create a secure seal between the cartridge and housing top plate.

**Legs**

Supplied as standard on all housings, enabling housing to be secured to the floor for safety and security.

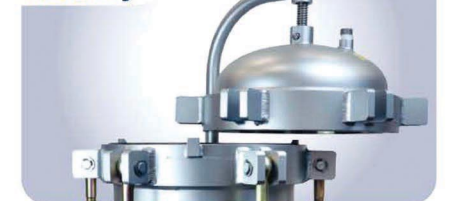
### Standard Features

**V-Band Clamp**



### Premier Features

**Davit Arm Assembly**



**Swing Bolts**



**Pressure Gauges**



**Baffle Plate**

Placed on the inlet, the baffle plate deflects the water up into the housing, distributing flow across all cartridges.

**Pressure Gauges**

Allows for easy monitoring of differential pressure.



**Universal Plate**

Supplied as standard, the plate allows for both DOE/AA and 222 end cap filters to be installed, at no extra cost.



## Stainless Steel Multi-Round Housings

### Premier

Designed with the user in mind, the swing bolt and hinged lid or Davit arm assembly enables cartridge changeout to be achieved with no loose parts, heavy lifting or tools required. Manufactured with lids weighing up to 60 kg, these heavy-duty housings ensure all health and safety angles are covered by this Premier housing feature, whilst also providing reduced labour operation for engineers carrying out cartridge changeouts. Extensive stock holding, along with complete technical back up, ensures confidence in finding the correct housing for each application. All housings come complete with a universal plate which is capable of accepting both DOE and 222 fittings.



### Cartridge Compatibility

Designed to enhance the performance of the SPECTRUM cartridge range, whilst accommodating all industry standard cartridges.



### Which Size Housing?

SPECTRUM Premier multi-round housings range in size from 7 round to 36 round, with flow rates from 27 to 3600 litres per minute.



**7 Round**  
27 - 700 lpm



**12 Round**  
137 - 1200 lpm



**36 Round**  
410 - 3600 lpm



**21 Round**  
239 - 2100 lpm



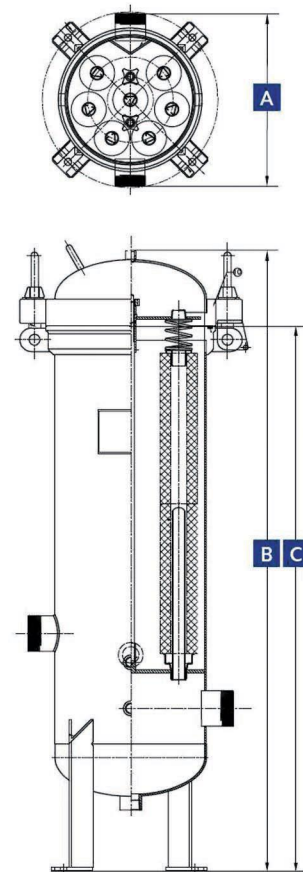
# Multi-Round Inox Filter Housings

## Premier - 7 Round

The Premier range benefits operators with a swing bolts and hinged lid configuration which keep the head secured to the vessel during cartridge changeout. Additional drain ports also assist cartridge changeout allowing for complete emptying of the housing, while the supplied pressure gauges provide accurate differential pressure readings for filter monitoring. The 7 round housings accept seven cartridges in 30" or 40" with 2" BSPM inlet and outlet connections with the 40" being the first in the range to be available with 3" flanged connection.



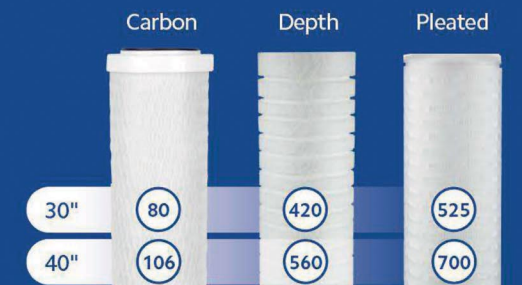
### Technical Drawing



### Key Features

- Swing bolt closure for a secure seal
- Universal cartridge adaptors securely hold 222, DOE or AA cartridges
- Drain ports allow for quick and easy cartridge change-outs
- Protective polycoat finish

### Flow Rate (lpm)



### Specification

#### Port Sizes (")



#### Cartridge Compatibility (")



#### End-Cap Compatibility



#### Temperature (°C)



#### Pressure Rating (bar)



#### Materials

Head & Body - 316L Stainless Steel - Polycoated
Eye Nut & Swing Bolt - 304 & Zinc Plated Steel
Legs - 304 Stainless Steel
O-Ring - Buna-N



Description	Box Weight (kg)
PAP INOX Premier Filter Housing 7 X 30" 2" BSPM with Gauges	50
PAP INOX Premier Filter Housing 7 X 40" 2" BSPM with Gauges	55
PAP INOX Premier Filter Housing 7 X 40" 3" DN80 Flange with Gauges	57



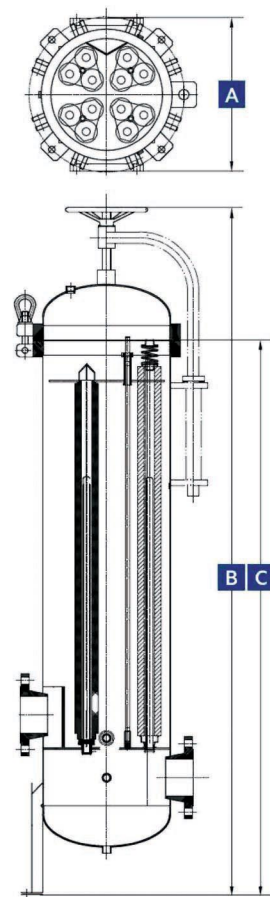
# Multi-Round Inox Filter Housings

## Premier - 12 Round

Larger Premier housings, starting from the 12 round, offer additional peace-of-mind by utilising a swing bolt and Davit arm assembly. This feature, safely and effortlessly moves the housing lid to one side during changeout, eliminating the need for heavy lifting and significantly reducing downtime. Accommodating flowrates up to 1200 litres per minute, these housings include 3" DN80 inlet and outlet connections on the 12 x 30" version and 4" DN100 on the 12 x 40". Drain ports for complete emptying of the housing during changeout and pressure gauges to provide accurate differential pressure readings for filter monitoring.



### Technical Drawing

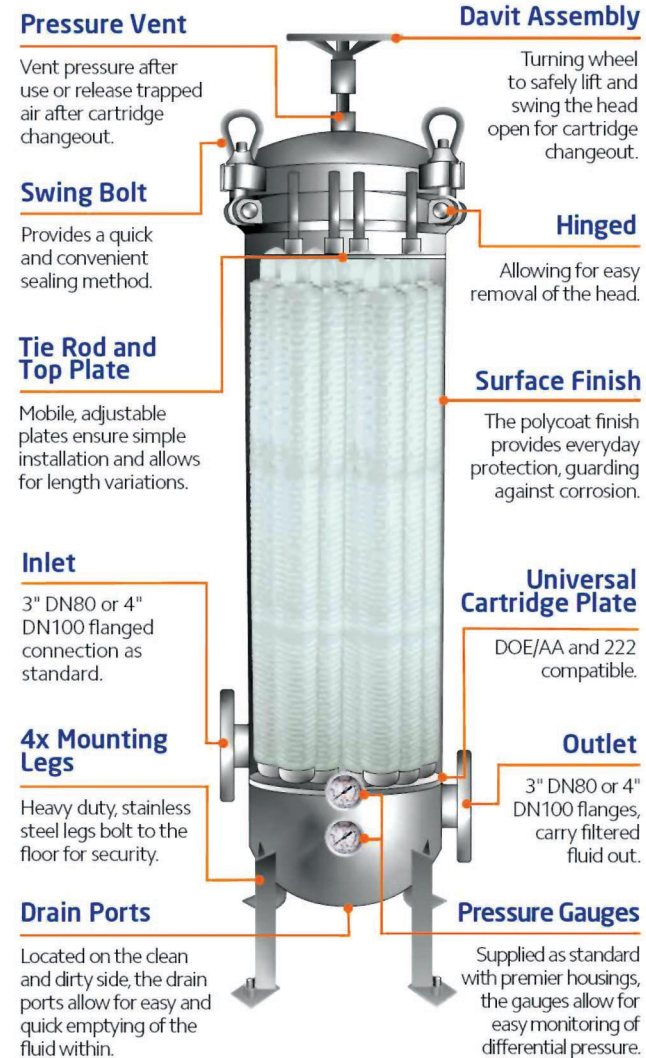


### Key Features

- Swing bolt closure for a secure seal
- Universal cartridge adaptors securely hold 222, DOE or AA cartridges
- Drain ports allow for quick and easy cartridge change-outs
- Protective polycoat finish

### Flow Rate (lpm)

	Carbon	Depth	Pleated
30"	137	720	900
40"	182	960	1200



### Specification

#### Port Sizes (")

3F DN80 Flange	4F DN100 Flange
-------------------	--------------------

#### Cartridge Compatibility (")

30	40
----	----

#### End-Cap Compatibility



#### Temperature (°C) Pressure Rating (bar)

120	10
-----	----

#### Materials

Head & Body - 316L Stainless Steel - Polycoated
Eye Nut & Swing Bolt - 304 & Zinc Plated Steel
Legs - 304 Stainless Steel O-Ring - Buna-N

Description	Box Weight (kg)
PAP INOX Premier Filter Housing 12X30" 3" DN80 Flange with Gauges	129
PAP INOX Premier Filter Housing 12X40" 4" DN100 Flange with Gauges	137



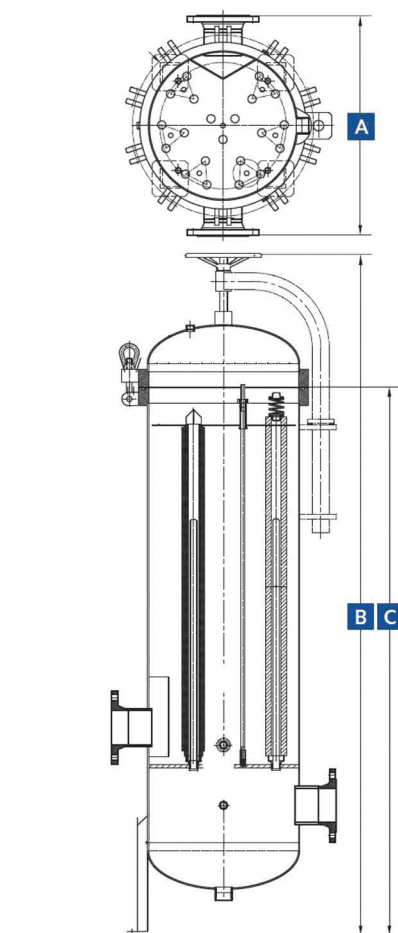
# Multi-Round Inox Filter Housings

## Premier - 21 Round

The 21 round housing utilises a swing bolt and Davit arm assembly to safely and effortlessly move the housing lid to one side, eliminating the need for heavy lifting and significantly reducing downtime during changeout. Providing effective filtration equivalent to 84 10" cartridges, this housing is supplied with 4" DN100 inlet and outlet connections, drain ports for complete emptying of the housing during changeout and pressure gauges to provide accurate differential pressure readings for filter monitoring.



### Technical Drawing

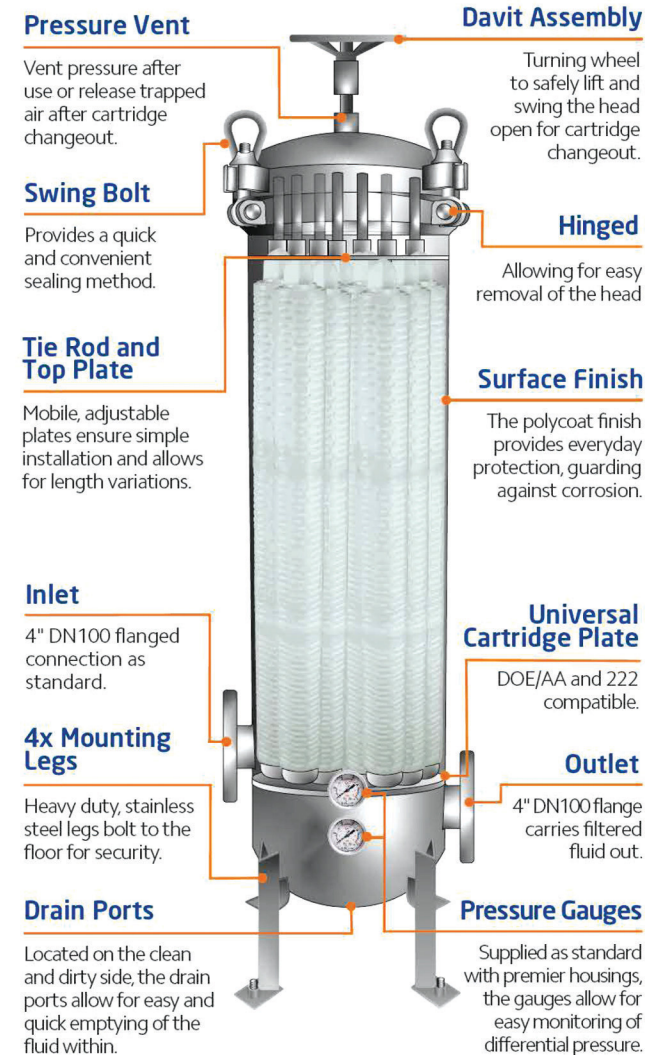


### Key Features

- Swing bolt closure for a secure seal
- Universal cartridge adaptors securely hold 222, DOE or AA cartridges
- Drain ports allow for quick and easy cartridge change-outs
- Protective polycoat finish

### Flow Rate (lpm)

	Carbon	Depth	Pleated
30"	239	1260	1575
40"	319	1680	2100



### Specification

#### Port Sizes (")

**4F**  
DN100 Flange

#### Cartridge Compatibility (")

**30 40**

#### End-Cap Compatibility



#### Temperature (°C)

**120**

#### Pressure Rating (bar)

**10**

#### Materials

Head & Body - 316L Stainless Steel - Polycoated
Eye Nut & Swing Bolt - 304 & Zinc Plated Steel
Legs - 304 Stainless Steel
O-Ring - Buna-N

Description	Box Weight (kg)
PAP INOX Premier Filter Housing 21X30" 4" DN100 Flange with Gauges	218
PAP INOX Premier Filter Housing 21X40" 4" DN100 Flange with Gauges	237



# High Flow vs Traditional Cartridges

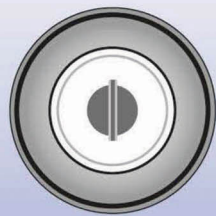
## Enhanced Design

- Offers up to 350% higher flowrate than regular diameter cartridge alternatives
- Reduced footprint can provide the perfect solution to limited floorspace installations
- Swing-bolt closures allow tool-free changeout, significantly reducing valuable labour time

## Reduced Costs

- Engineered housings allow higher flow rates in a comparably smaller design offering significant cost savings
- Replacement high flow cartridges can cost over 80% less than regular diameter cartridges for the same flow rate system

**1 Round** 1300 lpm

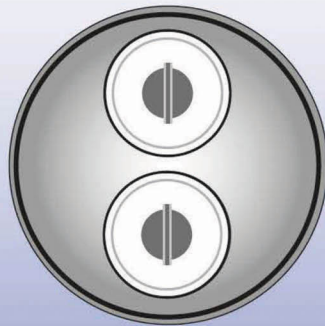


**1 High Flow Cartridge**

VS

**13 Pleated Cartridges**  
(40" Length)

**2 Round** 2600 lpm

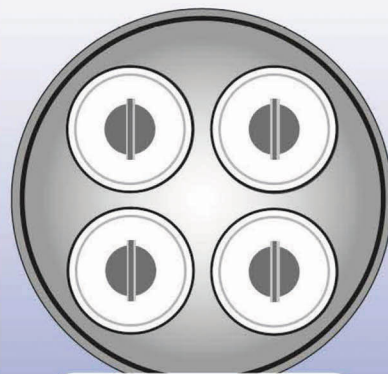


**2 High Flow Cartridges**

VS

**26 Pleated Cartridges**  
(40" Length)

**4 Round** 5200 lpm

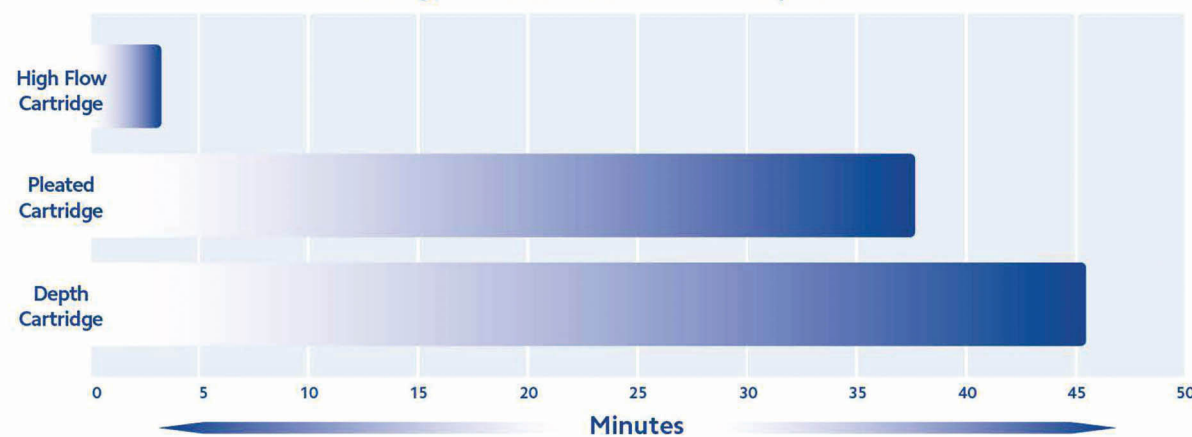


**4 High Flow Cartridges**

VS

**52 Pleated Cartridges**  
(40" Length)

Changeout time for a 1300 LPM system



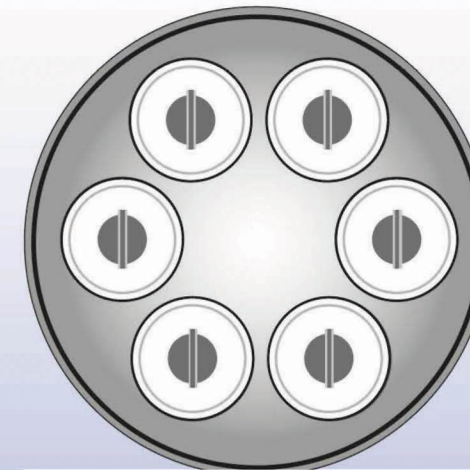
## Higher Dirt Holding

- Increased surface area and multi-layered graded density filter matrix provides greater dirt holding capacity
- A single 40" high flow cartridge can hold as much as 7kg of dirt, equivalent to almost 5 x 40" regular cartridges
- Increased dirt holding capacity results in fewer changeouts and less system downtime

## Simple to Install

- Simple to install, highflow cartridges have an ergonomic and robust handle for easy changeout
- 6" diameter pleated design creates massive surface area allowing huge flow rates and low pressure drops
- Inside-to-out flow pattern ensures particulate is retained within the cartridge during changeout

**6 Round** 7800 lpm

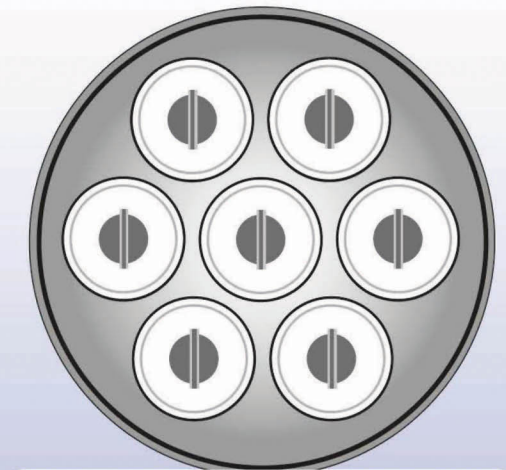


**6 High Flow Cartridges**

VS

**78 Pleated Cartridges**  
(40" Length)

**7 Round** 13,300 lpm



**7 High Flow Cartridges**

VS

**133 Pleated Cartridges**  
(40" Length)





# Inox High Flow Filter Housings

## Features

Manufactured from 316L stainless steel, the PAP Inox High Flow range is supplied with a host of easy-to-use features such as swing bolt and Davit arm closure mechanisms for reduced change out time, included pressure gauges for accurate pressure drop monitoring, a housing top plate to reduce bypass and flanged inlet and outlet ports to suit typical industry pipework.

### Cartridge Compatibility

PAP High Flow filters are high surface area filters developed to suit large scale applications where maximum efficiency is required.



### Gauges

Pressure gauges (supplied as standard) optimise service life, acting as a visual indicator for cartridge changeout.



### Pressure Vent

Used to depressurise the housing and allow safe handling.

### Housing Body

316L stainless steel body with glass beaded finish provides durability.

### Top Plate

Once cartridges are installed a top plate is fitted for safety and security to prevent bypass.



### Mounting Legs

Heavy duty, stainless steel, saddle style legs bolt to the floor, offering stability and security.

### Drains

Enables efficient draining of the unit to allow quick and easy changeout.

### Davit Arm Assembly

Manufactured as standard on all multi-round systems, the Davit arm assembly enables quick cartridge changeout and safe operation.



### Flange

Supporting easy engineering and high flow rates, all multi-round systems come with flanged connections.

